

XA3-40500

Power Repeater

Power Repeater

XA3-40500

Product Features

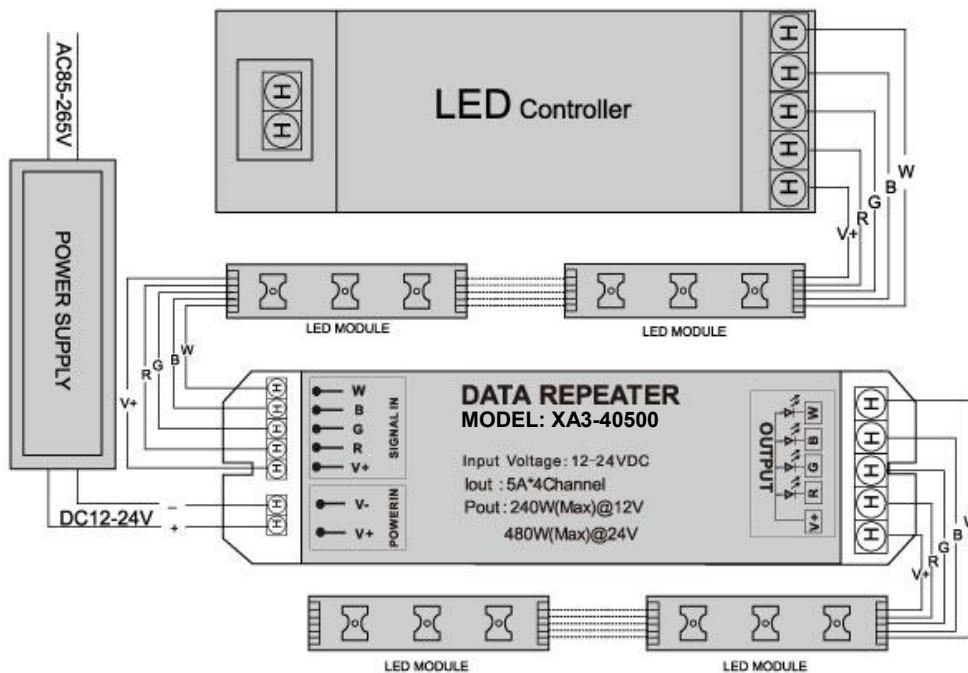
- RGB + W 4-channel repeater, Max 5A per channel.
- Amplifies power of synchronous signal.
- Accepts PWM (Pulse Width Modulation) control.
- Compatible with most LED modules.
- Unlimited series connectivity.

Product Specifications

- Input Voltage 12 to 24VDC
- Channels 4
- Output Current 5A MAX / Channel
- Output Power 12V: 240W; 24V: 480W
- Operating Temperature 0 - 50°C
- Dimensions (L)168*(W)51*(H)22 (mm), 6.61 x 2.01 x 10.86 (inch)
- Weight 80g



Connection Instructions



⚠ Note

This unit can connect up to 200 full-color/white modules or 800 single-color modules or several high-power LEDs (Depends on its connecting method).