

PS-100-24 Power Supply

Features

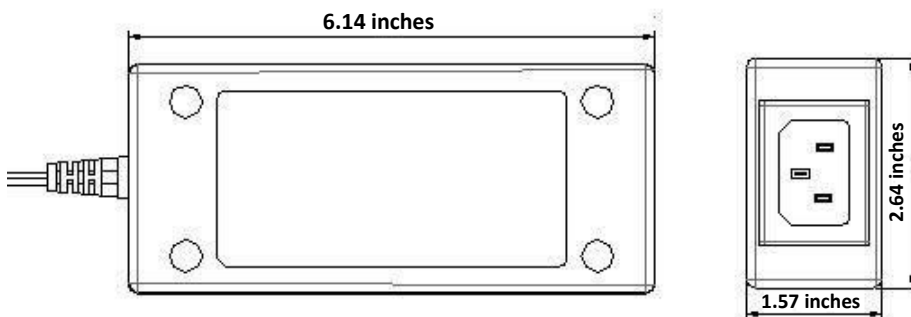
- Switched-mode power supply: 100–240 VAC input, 24 VDC stabilized output, rated 4.16 Amps.
- High efficiency, low operating temperature.
- Built-in over-voltage, over-current, and short-circuit protection.
- Meets RoHS lead free requirements.
- FCC 47 CFR Part 15 Subpart B compliant.
- UL/cUL Listed.

Specifications

- | | |
|-------------------------|---------------------------------|
| • Input Voltage | 100–240 VAC @ 50/60Hz |
| • Output Voltage | 24 VDC |
| • Output Current | 0–4.16 Amps |
| • Output Power | 100 Watts (max) |
| • Ripple & Noise | 100 mV (max) |
| • Operating Temperature | 34–104 °F |
| • Storage Temperature | -4–185 °F |
| • Operating Humidity | 5–95% (noncondensing) |
| • Size | L 6.14 x W 2.64 x H 1.57 inches |
| • Length of AC Wire | 47 inches |
| • Length of DC Wire | 59 inches |
| • Weight | 1.06 lbs |



Dimensions



AC Power Cable

