

XUZ-11000

DMX Dimmer Controller

DMX Dimmer Controller

XUZ-11000

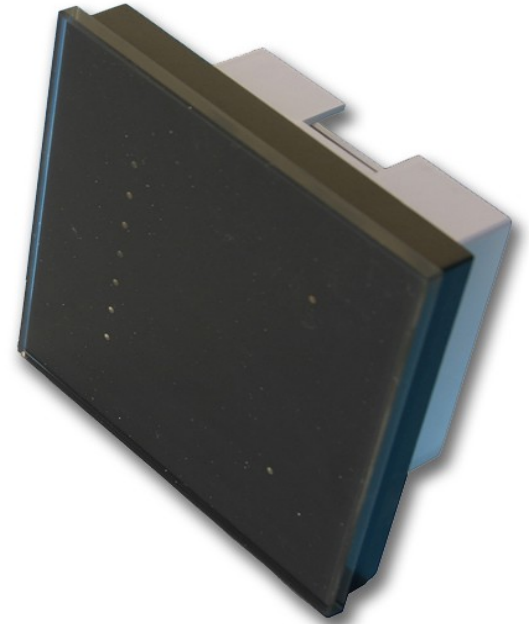
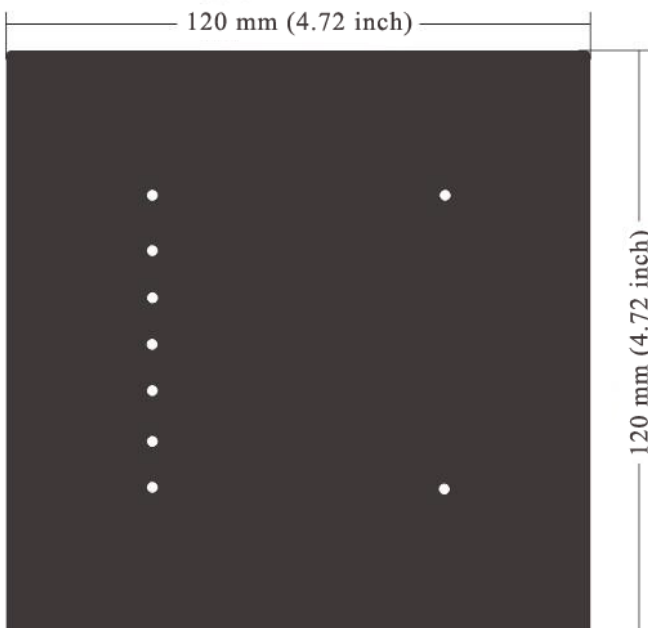
Product Features

- Complies with DMX512 (1990) International Standard.
- Tempered glass touch panel with slider dimming control.
- 0-100% brightness level.
- Low stand-by power consumption.
- Automatic parameter memory.
- Smooth, no flicker dimming.

Product Specifications

- Input Voltage 6-24VDC
- Operation Temperature -35 ~ 55°C
- Dimensions (L) 120 x (W)120 x (H)24 (mm)
4.72 x 4.72 x 0.94 (inch)
- Weight 500g

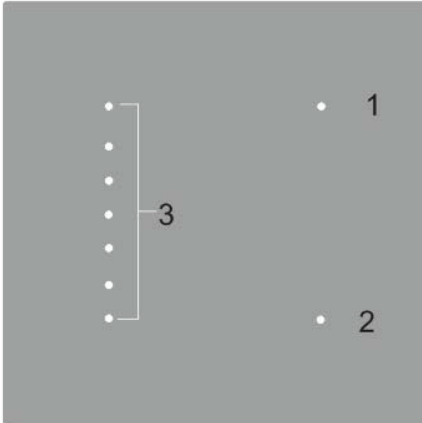
Dimensions



XUZ-11000

DMX Dimmer Controller

Operation Instructions



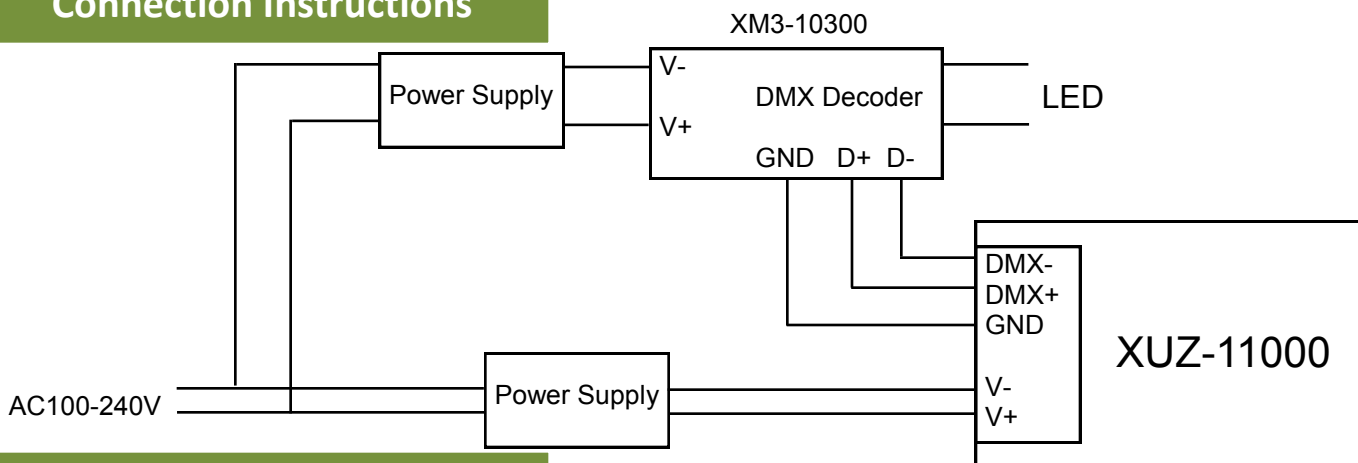
【Power ON】 : Touch-sensitive **Zone 1** is used for power on. The dimmer memory will remember the brightness level.

【Power OFF】 : Touch-sensitive **Zone 2** is used for power off. The dimmer will go to stand-by mode and the power-off indicator will light up.

【Dimming】 : Touch-sensitive **Zone 3** is a touch-slider. Slide up to increase the brightness level, and slide down to decrease the brightness level. LED indicators display the current brightness level.

【Important】 : When the dimmer is connected to the power source, it needs 3 seconds to initialize itself. During this period, **Do not** touch the glass panel in order to avoid affecting the sensitivity of the touch panel.

Connection Instructions



Troubleshooting Guides

Problem	Reason	Solution
All lights are off with power on.	No Power.	Check the power source.
	Power cord is not connected properly.	Reconnect the power cord.
Touch panel is not sensitive enough.	The calibration of touch panel is not proper during the initialization.	Unplug the power cord and Re-initialize the dimmer.
Abnormal flicker.	Wires are too long.	Shorten the wires or use loop power supply.
	Dimmer or power supply is overloaded.	Add more signal amplifiers.
Signal Confusion.	DMX signal wire is not connected properly.	Reconnect the DMX signal wire.