

XA3-30500

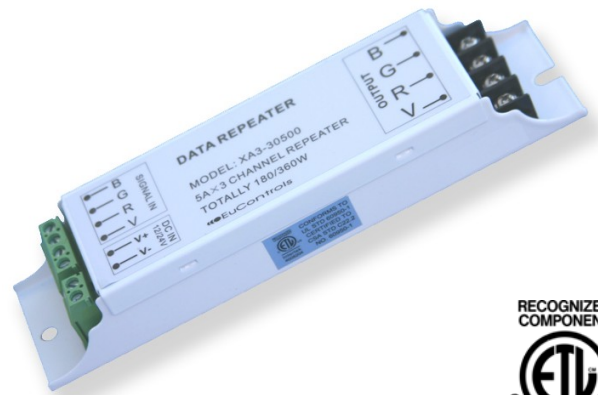
Power Repeater

Product Features

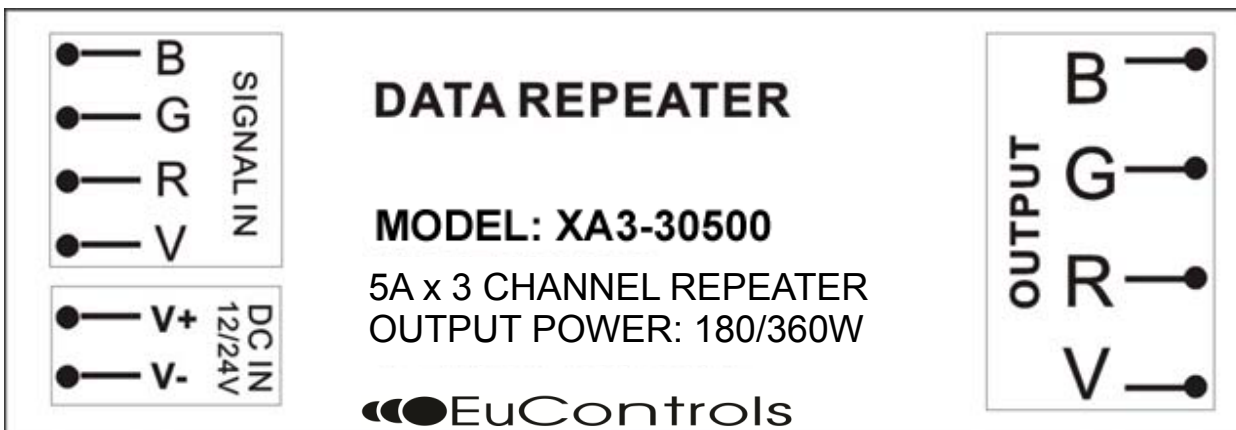
- 3-channel RGB controls, Max 5A per channel.
- Amplifies power of synchronous signal.
- Accepts PWM (Pulse Width Modulation) control.
- Compatible with most LED modules.
- Unlimited series connectivity.
- ETL certified to be compliant to widely accepted product safety standards.

Product Specifications

- Input Voltage DC12-24V
- Channel 3
- Output Current 5A MAX / Channel
- Output Power 12V: 180W; 24V: 360W
- Efficiency 70% min
- Operating Temperature 0 - 50°C
- Dimensions (L)165*(W)39*(H)26 (mm)
6.5 x 1.54 x 1.02 (inch)
- Weight 260g



Panel

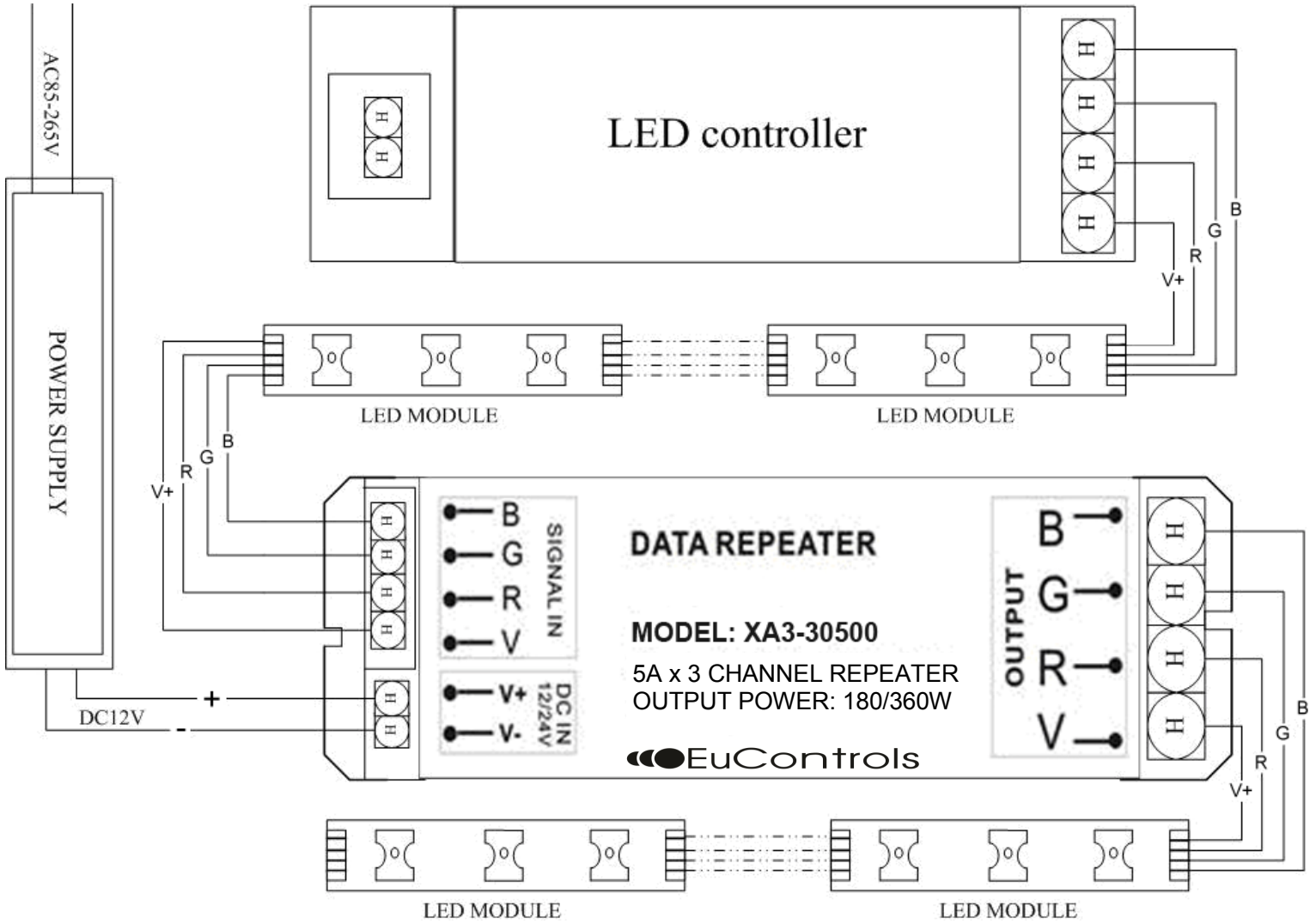


XA3-30500
 Power Repeater

Power Repeater

XA3-30500

Connection Instructions



- △ Note
- 1) This unit can be connected with various single-color modules and common anode connected full-color modules.
 - 2) This unit can connect multiple full-color modules or multiple single-color modules or several high-power LEDs (Depends on its connecting method).