

LD-4A000

DALI to 0-10V Converter

DALI to 0-10V
 Converter

LD-4A000

Product Features

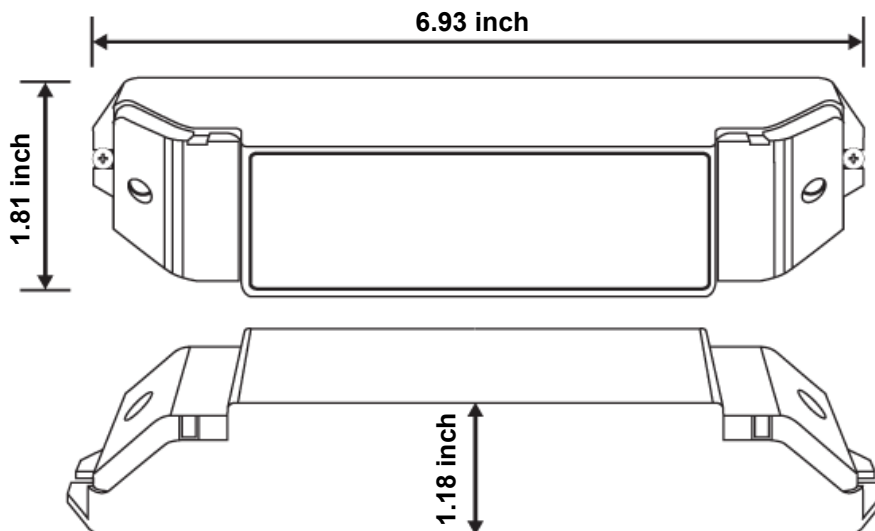
- Input voltage 12-24VDC.
- 4-Channel 0-10V analog signal output.
- Compatible with any type of DALI protocol devices.
- DALI signal input optical isolation protection.



Product Specifications

- Input Voltage Range 12-24VDC
- Input Signal DALI Signal
- Output Current 0-10V analog signal per channel x 4 channels
- Product Dimensions (L)176 x (W)46 x (H)30 (mm); 6.93 x 1.81 x 1.18 (inch)
- Weights 145 grams (0.32lbs)

Dimensions



LD-4A000

**DALI to 0-10V
Converter**

LD-4A000

DALI to 0-10V Converter

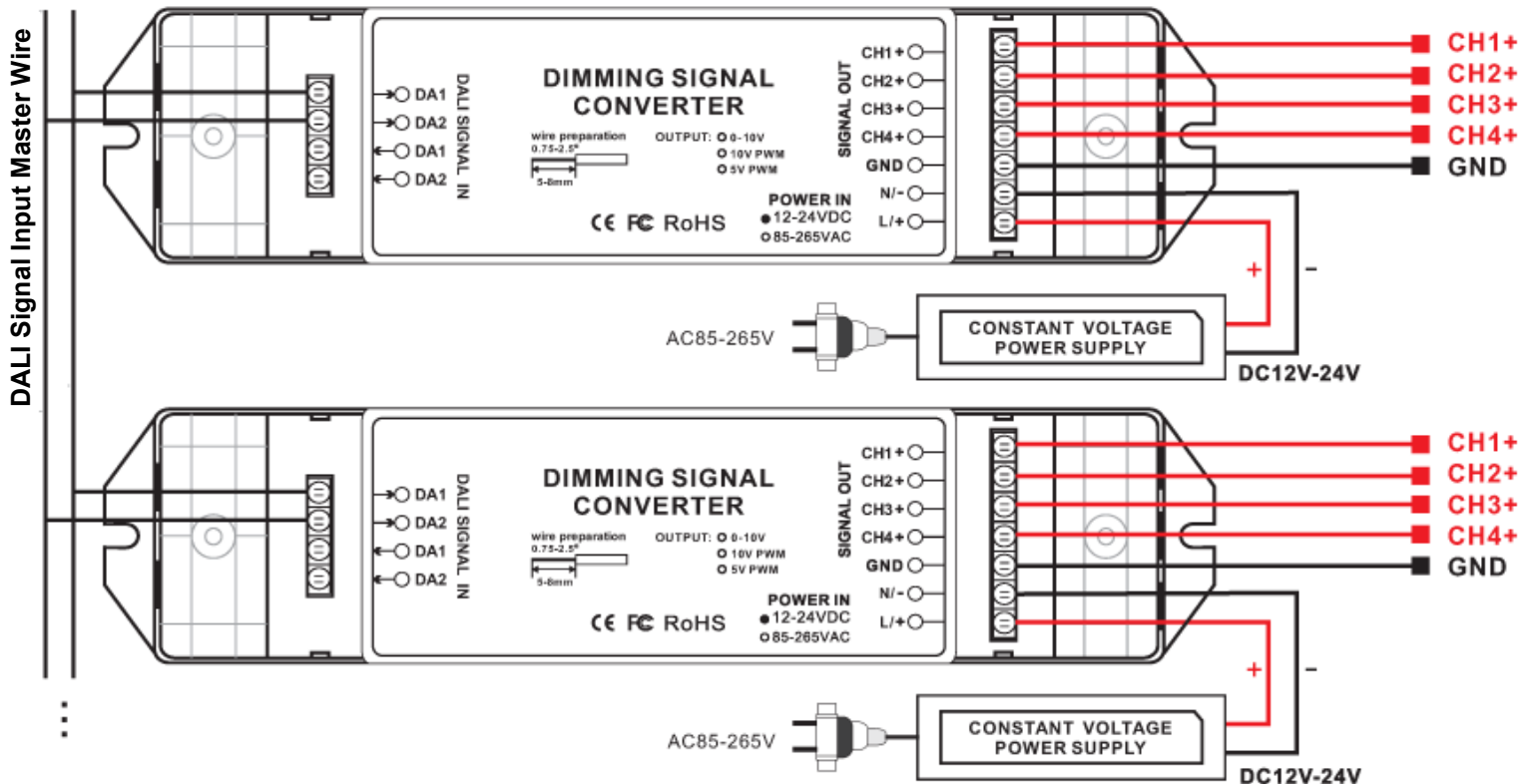
Safety Warnings

1. Please read the instructions carefully before use.
2. Do not install this driver near thunder fields or high voltage lines or strong magnetic fields.
3. Check and ensure all wiring connections are correct and to avoid a short circuit prior to damage driver or cause fire.
4. Installation should be in a well ventilated area. Not rated for wet or damp locations.
5. 12-24VDC constant voltage power supply is required. Please make sure the power supply is correct before installation.
6. Do not install this driver with the power on. After installation, please check all connections and make sure there is not short circuit before power on.
7. Do not try to repair it by yourself. If you have any question, please contact the vendor.

Typical Layouts

- Connection diagram 1 of the DALI signal input master wire with source:

Note: Not necessary to distinguish positive or negative at DALI master wire.



LD-4A000

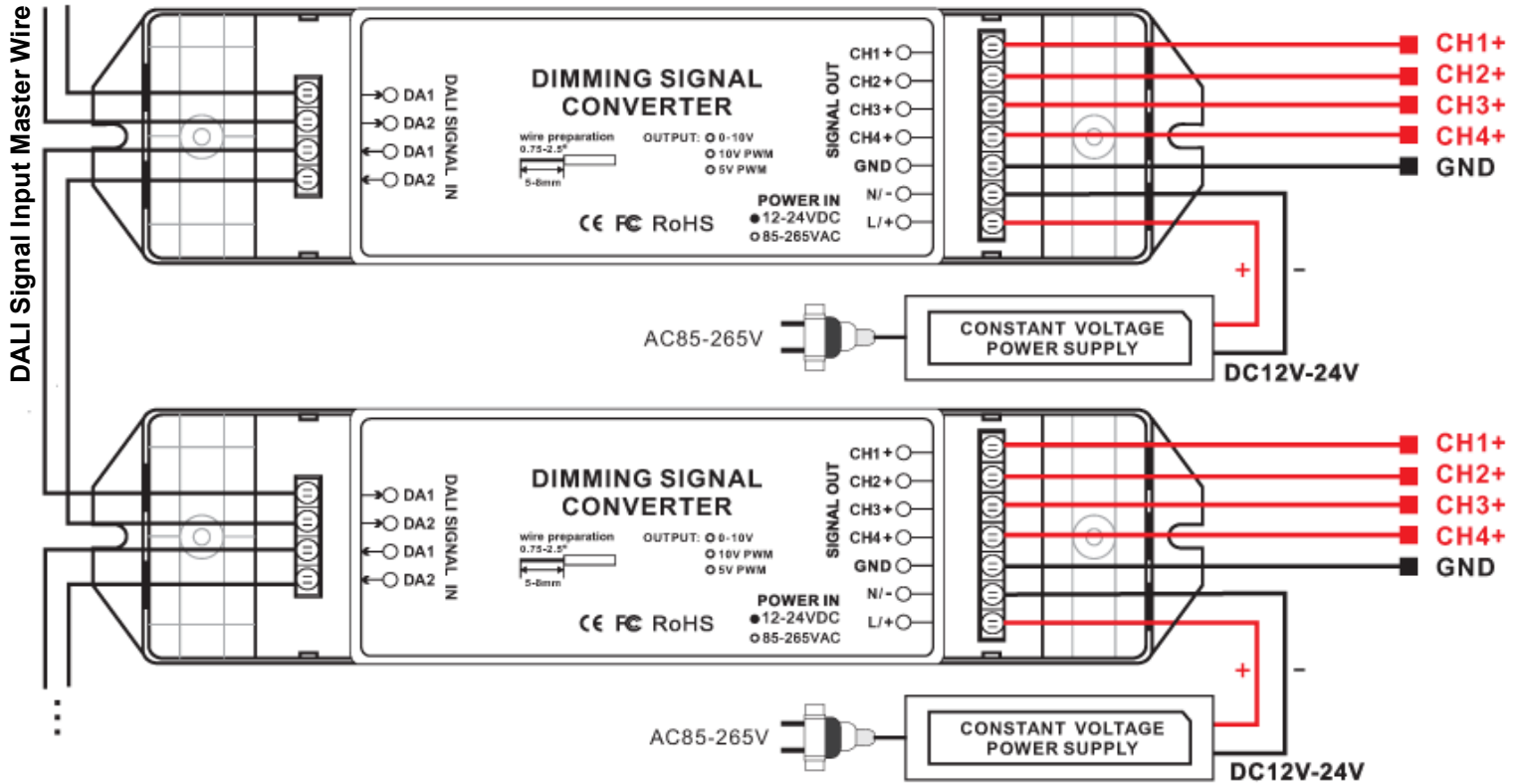
DALI to 0-10V Converter

DALI to 0-10V
 Converter

LD-4A000

Typical Layouts (Cont.)

- Connection diagram 2 of the DALI signal input master wire with source:
Note: Not necessary to distinguish positive or negative at DALI master wire.



LD-4A000

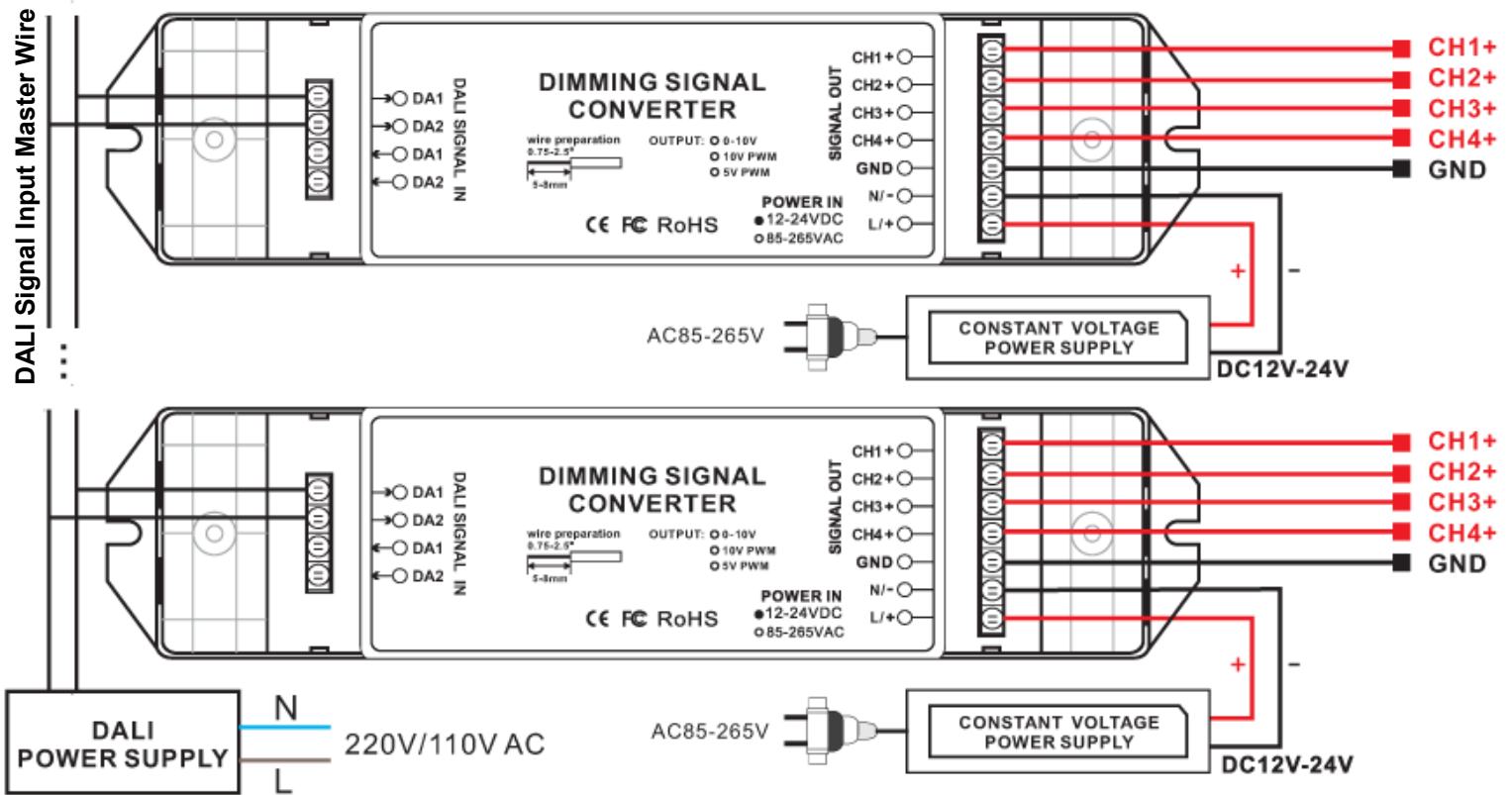
DALI to 0-10V
Converter

LD-4A000

DALI to 0-10V Converter

Typical Layouts (Cont.)

- Connection diagram 1 of the DALI signal input master wire without source:
Note: Not necessary to distinguish positive or negative at DALI master wire.



LD-4A000

DALI to 0-10V Converter

DALI to 0-10V
 Converter
LD-4A000

Typical Layouts (Cont.)

- Connection diagram 2 of the DALI signal input master wire without source:
- Note: Not necessary to distinguish positive or negative at DALI master wire.

