

LD3-20500

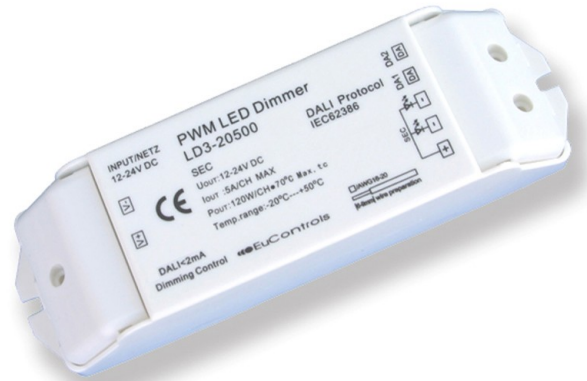
DALI PWM Dimming Decoder/Driver

DALI PWM Dimming
Decoder/Driver

LD3-20500

Product Features

- Use with DALI controller.
- PWM Output Current 5A/CH MAX.
- DALI digital control input, dimming control LED modules.
- Addressable output channels.
- Dimming range is 0-100% (LED brightness starts up at 1%).
- Works with DC power supply only.
- Over-heat protection.
- Safety Class 2.
- 2-Channel 12-24VDC constant voltage output.



Technical Specifications

Parameter	Min. *	Nom. *	Max.	Unit
Input Voltage Range	12	-	24	Vdc
12-24V DC Input Current	-	-	5	A/ch
Output Power	0.1	-	2 x 120	W
Output Voltage	0	-	24	Vdc
Output Current	-	-	5	A/ch
Peak Current	-	-	6	A/ch
Dimming Control (DALI)	-	IE62386	-	-
Case Temperature	-	-	70	°C
Ambient Temperature	-20	-	50	°C

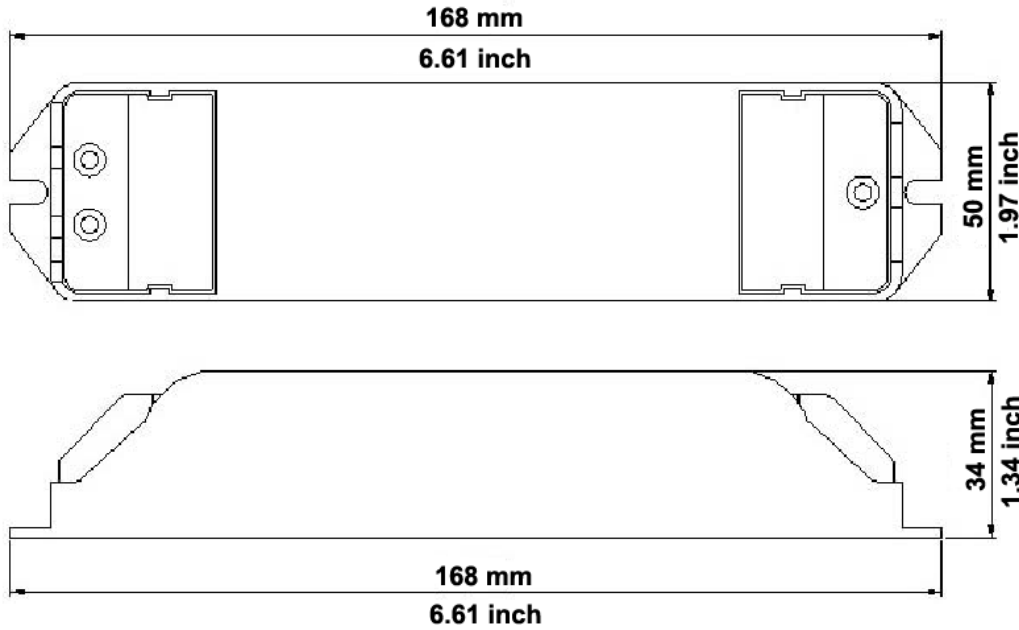
Notes:

1. Protection: short-circuit protection, overload protection, overheat protection.
2. *Valid at temperature of 25°C.

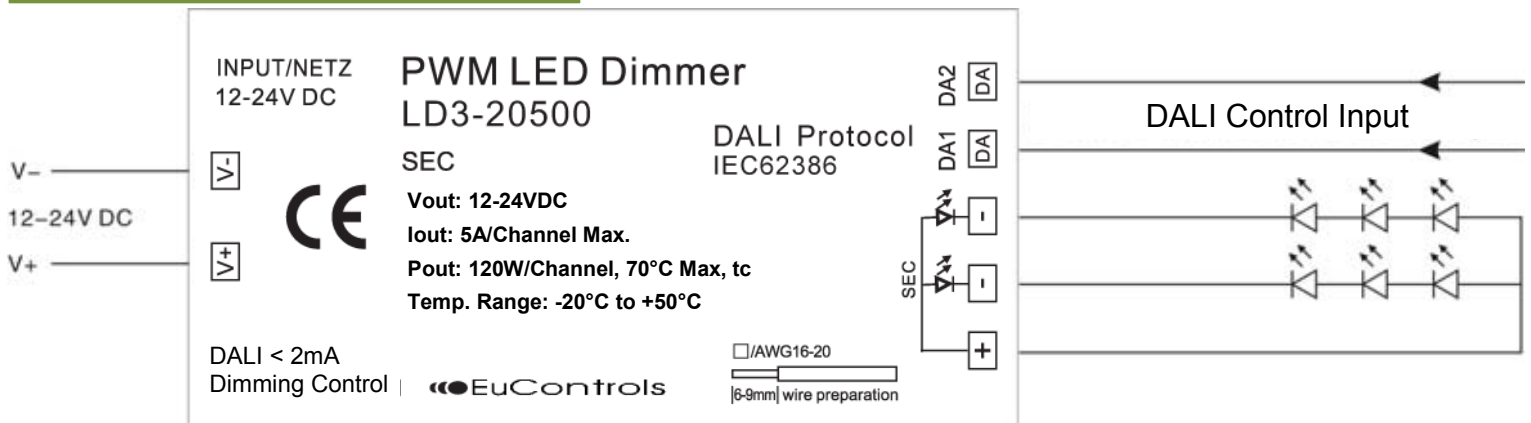
LD3-20500

DALI PWM Dimming Decoder/Driver

Dimensions



Connection Instructions



Installation Notes:

- 1) Review the connection diagram carefully before installation.
- 2) Use either a DALI controller input or a compatible touch dimmer to control the LED lights. Do not use simultaneously.
- 3) Use 16-20 AWG wires and trim the end 1/4 - 3/8 inch.
- 4) Press the cap down and insert the wire then release the cap.
- 5) Double-check all connections prior to powering up.

LD3-20500

DALI PWM Dimming Decoder/Driver

DALI PWM Dimming
 Decoder/Driver

LD3-20500

DALI Connection Diagram

