

# LD-4A03A

## DALI Dimming Driver

### Product Features

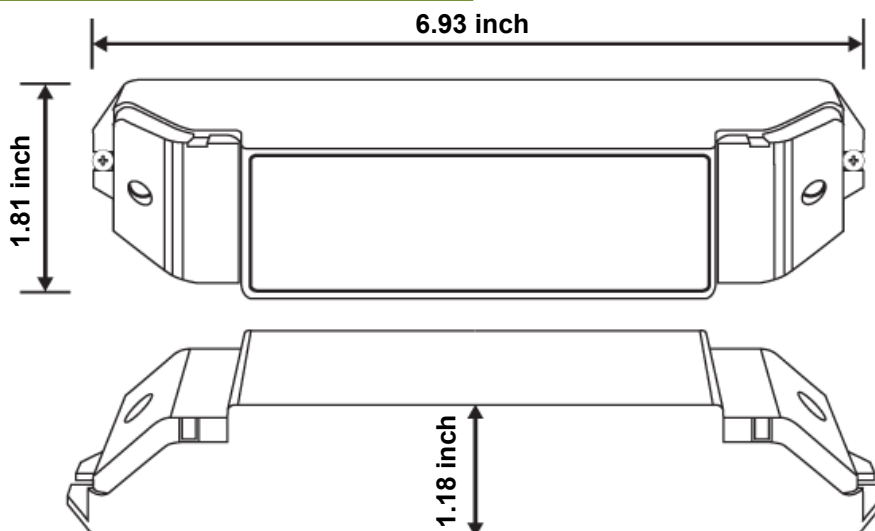
- Input voltage 12-24VDC.
- Compatible with any type of DALI protocol devices.
- 4096 gray-level soft and stable dimming without any flicker.
- DALI signal input optical isolation protection.
- Over-current and short-circuit protection.



### Product Specifications

- Input Voltage Range      12-24VDC
- Input Signal                DALI Dimming Signal
- Output Current             RGB: 3A per channel x 3 channels; White: 9A per channel x 1 channel
- Output Power              RGB: 36W@12V, 72W@24V; White: 108W@12V, 216W@24V
- Grey Scale                 4096 levels
- Operating Temperature    0 - 50°C
- Product Dimensions        (L)176 x (W)46 x (H)30 (mm); 6.93 x 1.81 x 1.18 (inch)
- Weights                     145 grams (0.32lbs)

### Dimensions



# LD-4A03A

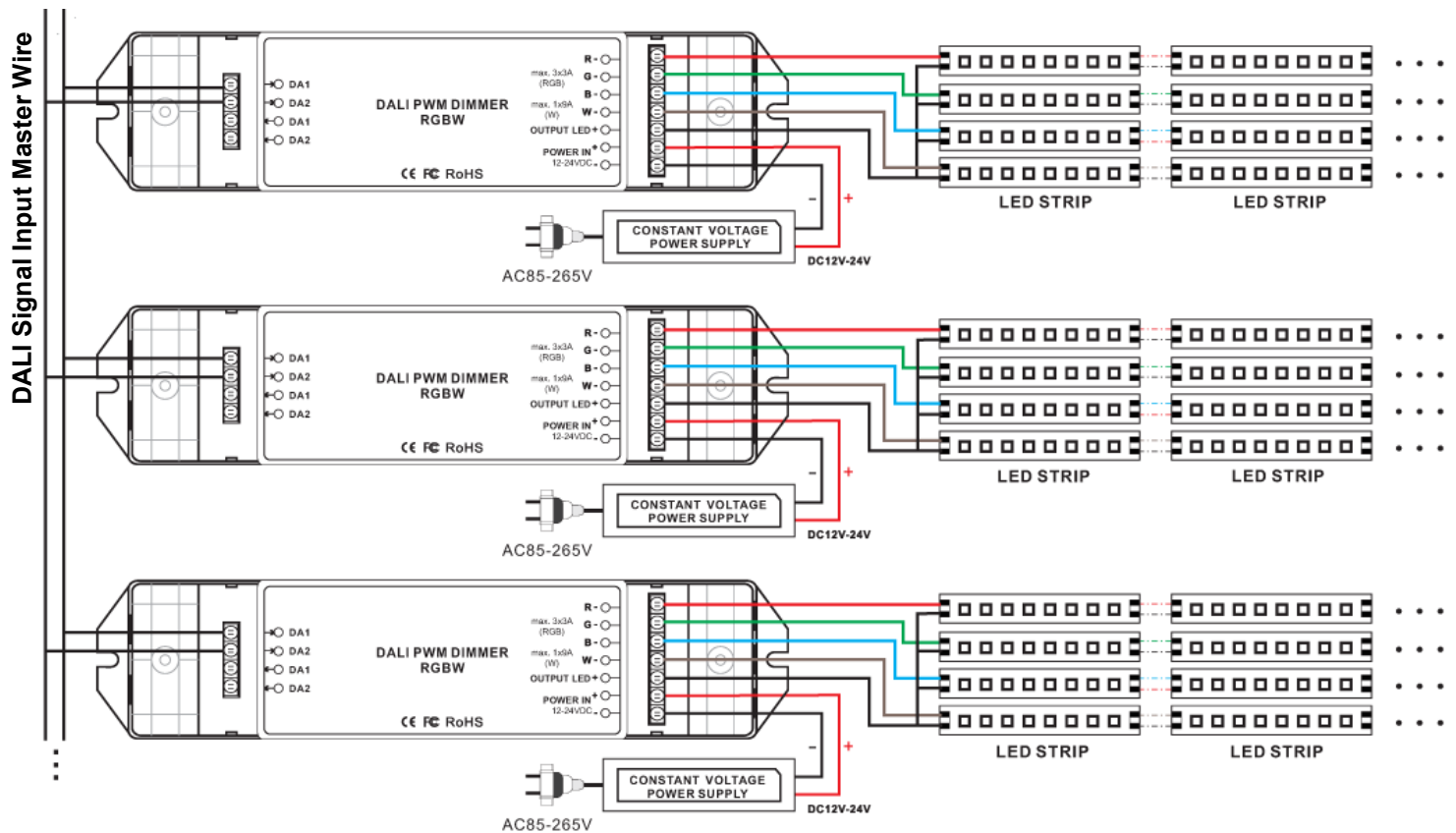
## DALI Dimming Driver

### Safety Warnings

1. Please read the instructions carefully before use.
2. Do not install this driver near thunder fields or high voltage lines or strong magnetic fields.
3. Check and ensure all wiring connections are correct and to avoid a short circuit prior to damage driver or cause fire.
4. Installation should be in a well ventilated area. Not rated for wet or damp locations.
5. 12-24VDC constant voltage power supply is required. Please make sure the power supply is correct before installation.
6. Do not install this driver with the power on. After installation, please check all connections and make sure there is not short circuit before power on.
7. Do not try to repair it by yourself. If you have any question, please contact the vendor.

### Typical Layouts

- Connection diagram 1 of the DALI signal input master wire with source:  
**Note:** Not necessary to distinguish positive or negative at DALI master wire.

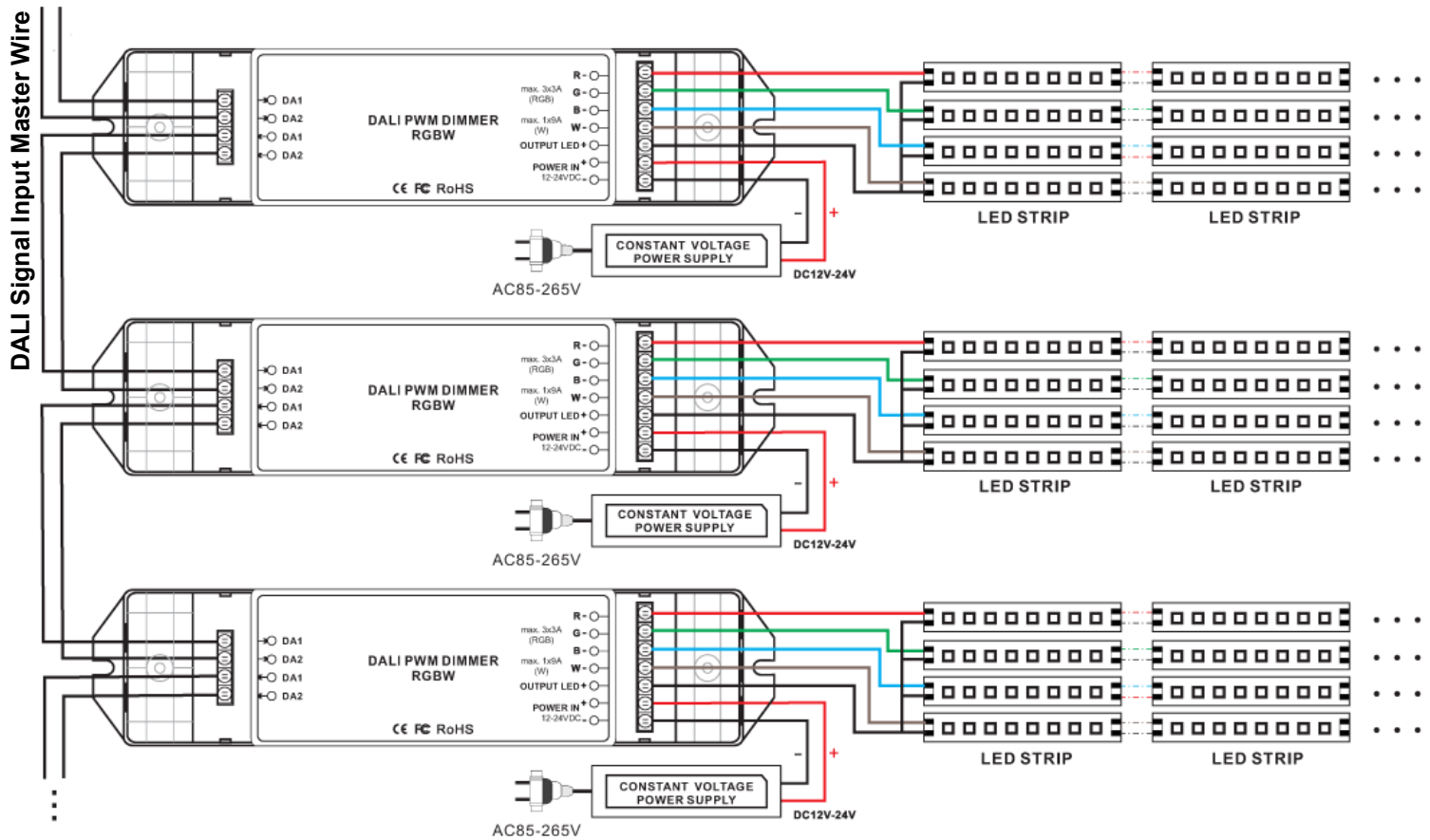


# LD-4A03A

## DALI Dimming Driver

### Typical Layouts (Cont.)

- **Connection diagram 2 of the DALI signal input master wire with source:**  
**Note:** Not necessary to distinguish positive or negative at DALI master wire.

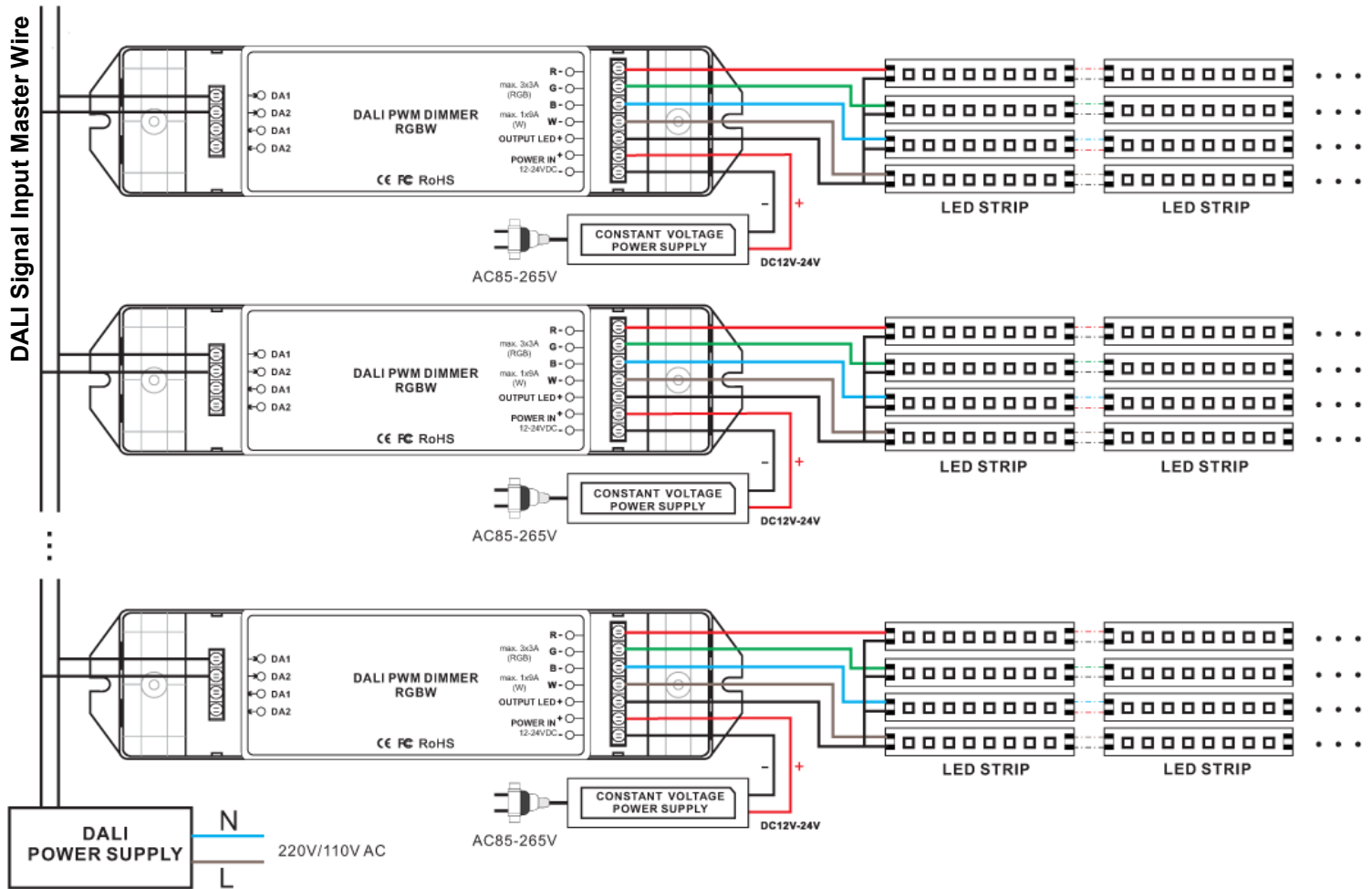


# LD-4A03A

## DALI Dimming Driver

### Typical Layouts (Cont.)

- Connection diagram 1 of the DALI signal input master wire without source:  
**Note:** Not necessary to distinguish positive or negative at DALI master wire.



# LD-4A03A

## DALI Dimming Driver

### Typical Layouts (Cont.)

- **Connection diagram 2 of the DALI signal input master wire without source:**  
**Note:** Not necessary to distinguish positive or negative at DALI master wire.

