

DMT-20600-RF

Multi-Function RGB Controller

Product Features

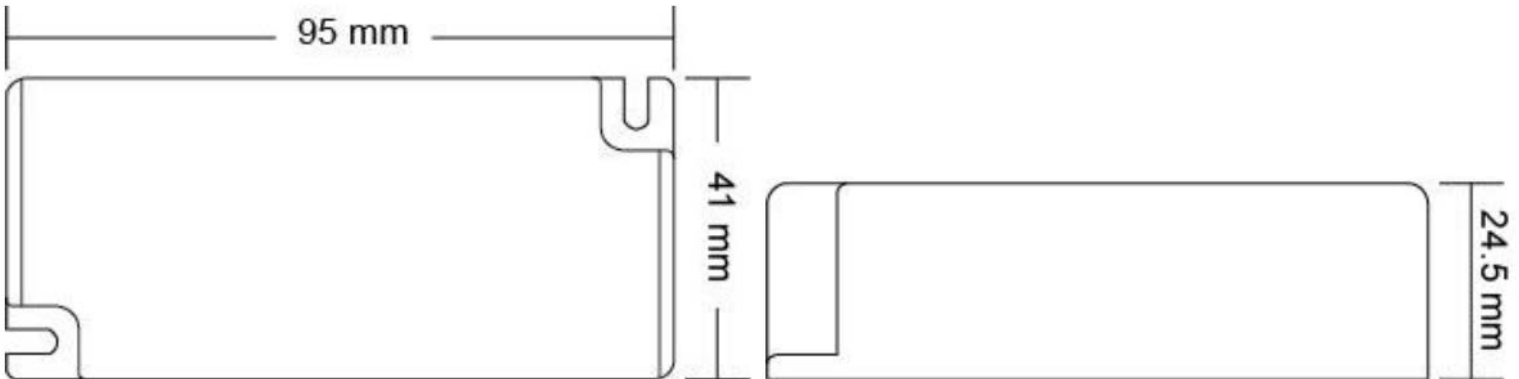
- 2.4 GHz wireless PWM dimming module.
- Control color temperature of warm white and cool white LED lights.
- Control brightness levels.
- 4 separate zones.
- Power-off/memory function.
- Short-circuit protection and over-current protection.

Product Specifications

• Input Voltage	12-60VDC
• Output Voltage	12-60VDC
• Output Current	6A * 2-Channel
• Output Power	12V: 144W; 60V: 720W
• Wireless Frequency	2.4GHz ISM
• Operation Temperature	-20 ~ 50 °C
• Controller Dimensions	(L)95 x (W)41 x (H)24.5(mm), 3.74 x 1.61 x 0.96 (inch)
• Weight	50g



Dimensions

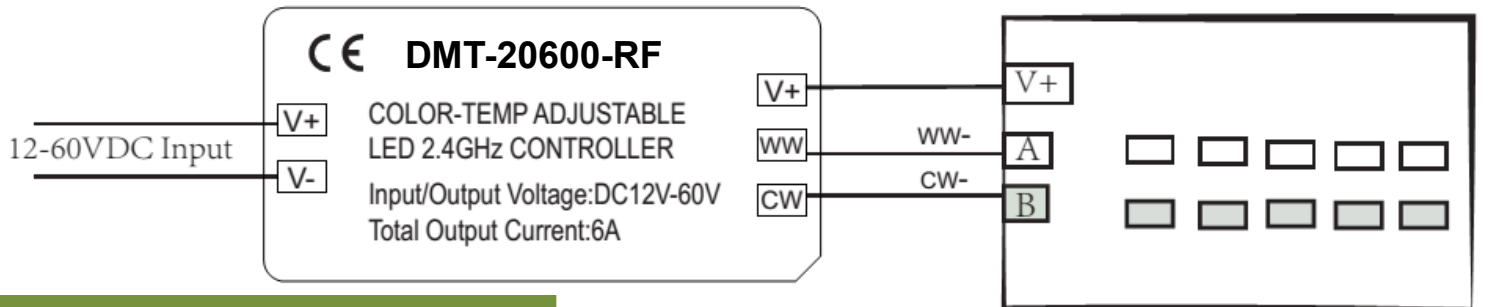


DMT-20600-RF

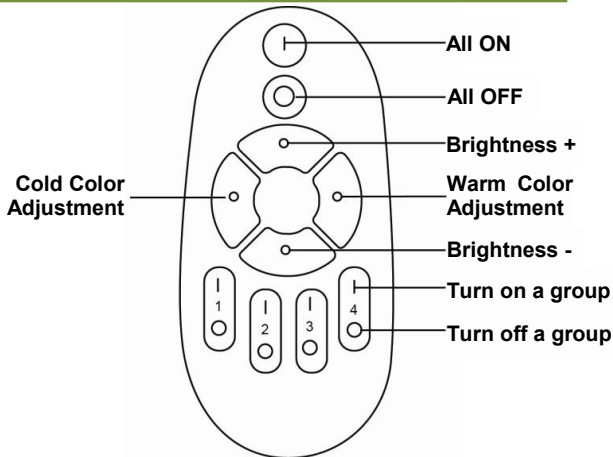
Multi-Function RGB Controller

RGB Controller
DMT-20600-RF

Connection Instructions



Remote Control Buttons



All On / All Off:

Power on or off all the LED light bulbs from the remote control.

Brightness + / Brightness -:

Adjust the brightness of the current group of the LED lights.

Cold Color / Warm Color adjustment:

Adjust color temperature of cold and warm LEDs.

Turn on a group / Turn off a group:

Turn on or turn off the corresponding LED light bulbs.

- **Code Matching and Grouping:**

Remote control can be used only after code matching. Please follow these procedures to perform a code matching:

Select a LED light to control in a group, turn its power off, wait for 10 seconds, and then turn its power on, press the corresponding "Turn on a group" button on the remote within 5 seconds. If the LED light flashes slowly for 3 times, that means the code matching and grouping is success. Repeat this step until all lights are successfully matched and grouped.

Note: Each LED light can only match to one group on the same remote. But one remote can match to numerous LED light.

- **Code Deleting and Re-grouping:**

If an existing group needs to be modified, the address code of the LED light bulb has to be deleted first. Please follow below procedures to delete an existing code:

Select a LED light to delete its code. Turn its power off, wait for 10 seconds, then turn its power on again, press the corresponding "Turn on a group" button on the remote 6 times within 5 seconds. If the light blinks 6 times, then that means the code deleting is success. Then, repeat the procedure of code matching and grouping to re-group the LED light.

Note: Do not use the controller near an area with many metals or strong electromagnetic waves, otherwise, the communication distance will be seriously influenced.